

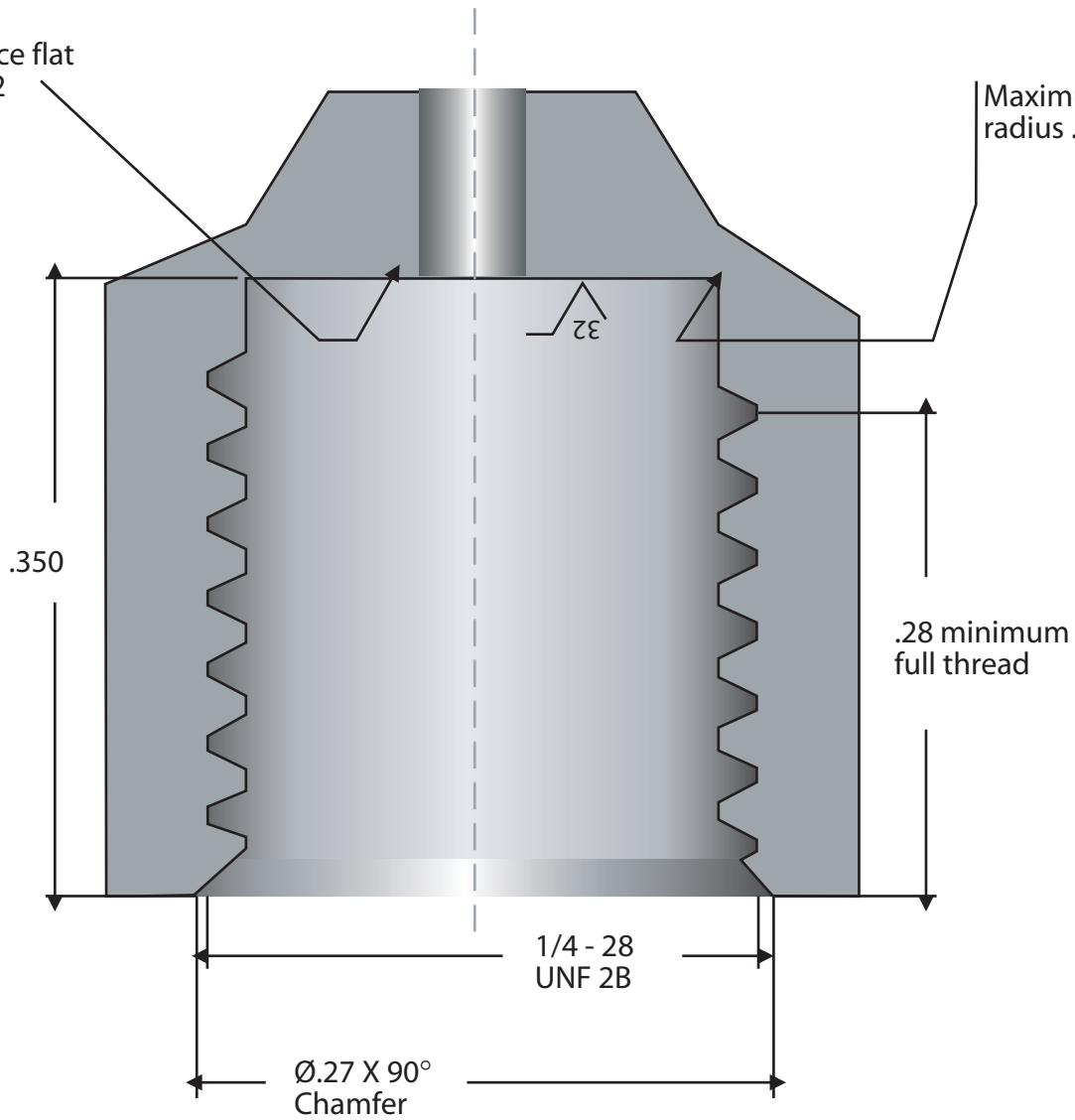
# Standard Port Drawing

1/4-28 standard, flat-bottom port



Sealing surface flat to within .002

Maximum corner radius .007



The dimensions shown on this drawing are subject to change without notice.